

**ORIGINAL**

DRAWING No. / PART No.

FA-4404

CODE :

S

DESCRIPTION

ADAPTOR, CGA-440  
X .50 NPT

MATERIAL

1.0000 HEX BRASS  
CU ALLOY UNS-C36000

FINISH

BRITE DIP



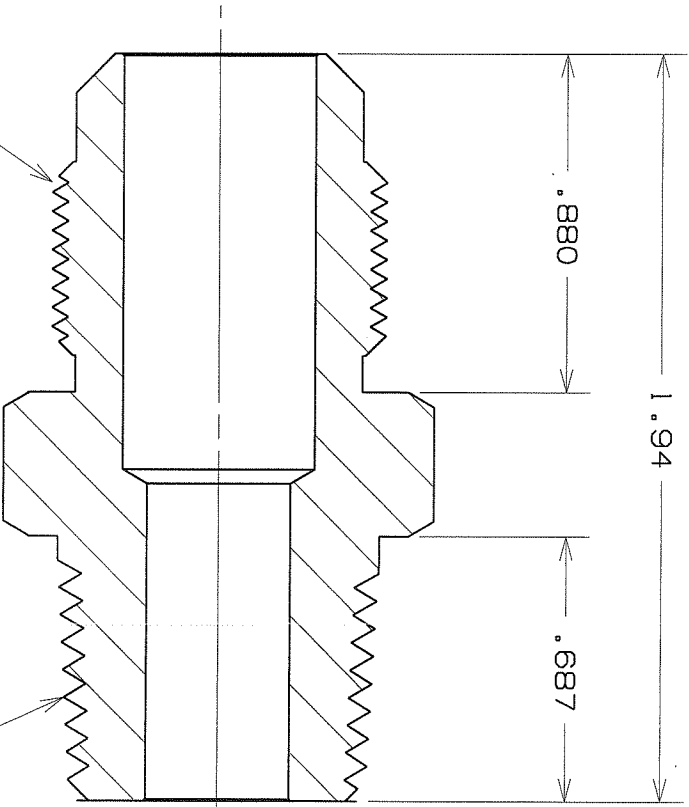
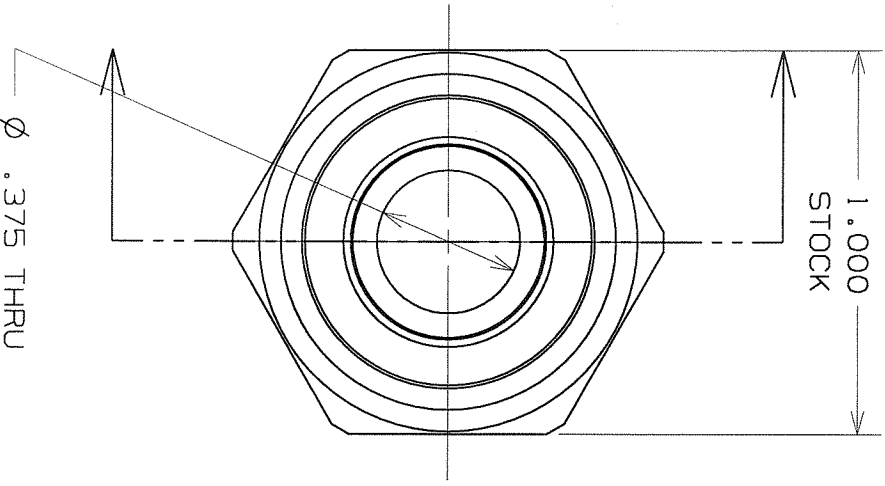
**SUPERIOR  
PRODUCTS  
INC.**

NOTICE:  
THE DATA IN THIS DOCUMENT IS PROPRIETARY INFORMATION AND RIGHTS OF SUPERIOR PRODUCTS, INC. ANY PARTY ACCEPTING THIS DOCUMENT DOES SO IN CONFIDENCE AND AGREES THAT IT SHALL NOT BE REPRODUCED, COPIED, OR IN ANY MANNER DISCLOSED TO OTHERS WITHOUT THE WRITTEN CONSENT OF SUPERIOR PRODUCTS, INC.

DO NOT SCALE

FILE NO. : /y9-dot-a/mrg/

REV	ECN	DATE	CHKD	APPVD
A		8-8-00	<i>JRS</i>	<i>[Signature]</i>



CGA V-1  
CONN. 440  
7-14 UNF-2A

1/2-14 NPT