
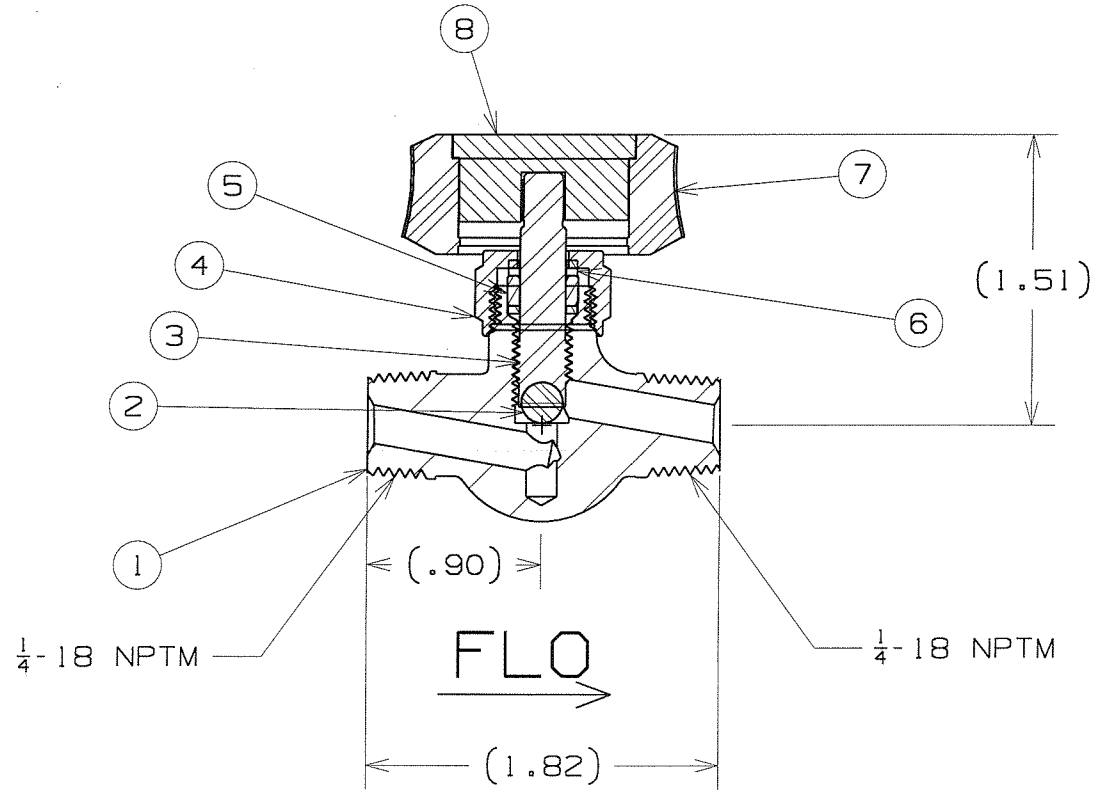
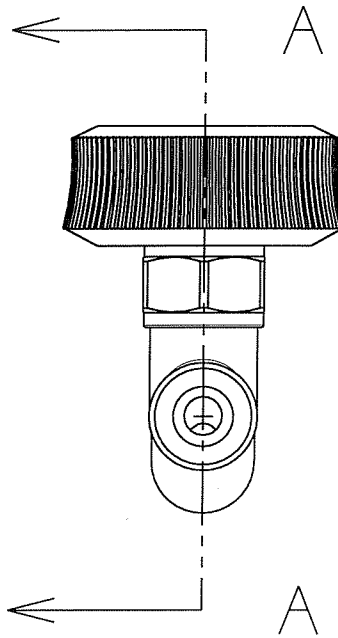


ORIGINAL

DRAWING No./PART No. MV-333P		CODE: S	DESCRIPTION VALVE, PLATED 1/4 NPTM X 1/4 NPTM	MATERIAL SEE B.O.M.	 SUPERIOR PRODUCTS INC.
FILE NO: /ug_data/assembly/				FINISH OEM DECORATIVE BRIGHT NiCr PLATE	
REV A	ECN	DATE 12-18-00	CHKD PRL	APPVD RJM	

DO NOT SCALE

ITEM	PART NO	DESCRIPTION	QTY
1	XMV-333-1	BODY	1
2	XVB-005	BALL	1
3	XVS-001	STEM	1
4	XMVN-001	NUT	1
5	XVP-001	PACKING	1
6	XVW-002	WASHER	3
7	XMPH-112	HANDLE	1
8	XMVH-002	HUB	1



SECTION A - A