
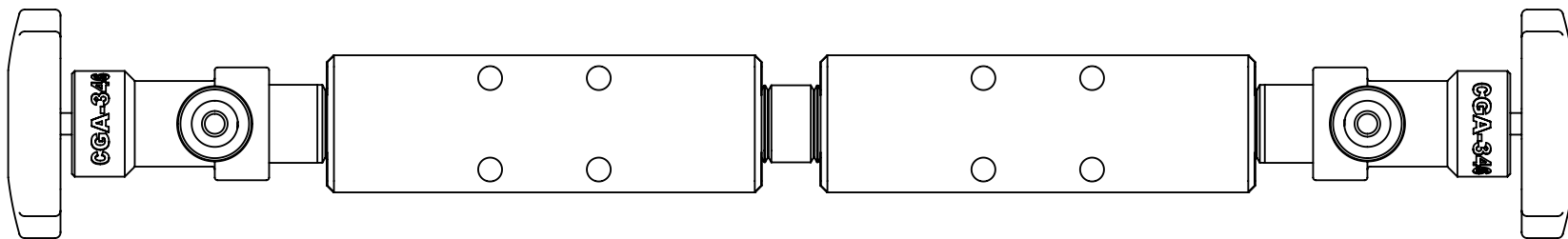
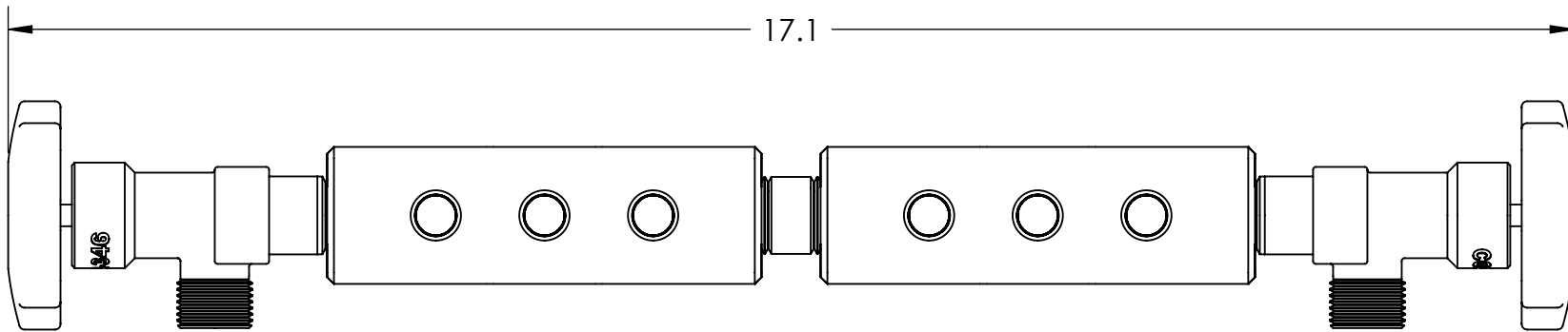


PART NUMBER: GMA-SCMB-346-12-RGD				REV: A	CODE: S	DESCRIPTION: 12 Cyl CGA-346 Cradle Manifold	MATERIAL: See BOM	FINISH: SHEET 1 of 1	 <i>Redefining Gas Management Systems</i>
REV	ECN	DATE	CHKD	APPVD	<u>TOLERANCES UNLESS SPECIFIED:</u> 63 √ FINISH ALL OVER REMOVE ALL BURRS BREAK ALL CORNERS .005/ .015 DECIMAL .XX +/- .010 .XXX +/- .003 ANGULAR +/- 1 CONCENTRICITY .007 TIR		<u>NOTICE:</u> THE DATA IN THIS DOCUMENT INCORPORATES PROPRIETARY INFORMATION AND RIGHTS OF SUPERIOR PRODUCTS, INC. CONFIDENCE AND AGREES THAT IT SHALL NOT BE DUPLICATED IN WHOLE OR IN PART, NOR DISCLOSED TO OTHERS WITHOUT THE WRITTEN CONSENT OF SUPERIOR PRODUCTS, INC.		
A	09-0233	08-11-09	PSM	PSM					



NOTE: Pigtails are included but not shown:
12x PT-34E-346-36