
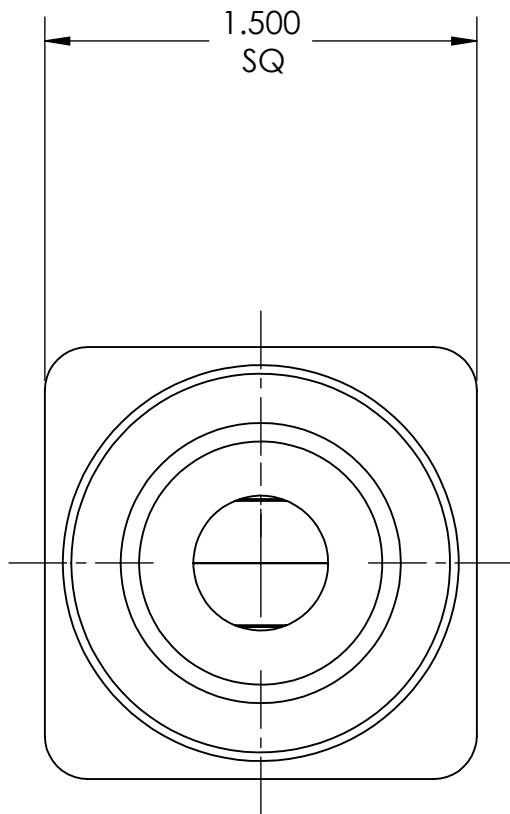


PART NUMBER: GMF-3022				REV: D	CODE: S	DESCRIPTION: GMF Tee, 1/2 Pipe X 1/2 NPT X 1/2 NPT	MATERIAL: 1.5" Square Brass	FINISH: Brite-Dip	 <i>Redefining Gas Management Systems</i>
								SHEET 1 of 1	
REV	ECN	DATE	CHKD	APPVD	TOLERANCES UNLESS SPECIFIED:		NOTICE: THE DATA IN THIS DOCUMENT INCORPORATES PROPRIETARY INFORMATION AND RIGHTS OF SUPERIOR PRODUCTS, INC. CONFIDENCE AND AGREES THAT IT SHALL NOT BE DUPLICATED IN WHOLE OR IN PART, NOR DISCLOSED TO OTHERS WITHOUT THE WRITTEN CONSENT OF SUPERIOR PRODUCTS, INC.	INTERPRET GEOMETRIC TOLERANCING PER: ANSI Y14.5	DO NOT SCALE
C	08-0086	04-29-08	GDG	RJJ	63 FINISH ALL OVER REMOVE ALL BURRS BREAK ALL CORNERS .005/.015 DECIMAL .XX +/- .015 .XXX +/- .005 ANGULAR +/- 1 CONCENTRICITY .007 TIR				
D	09-0242	08-11-09	PSM	IWH					



1/2 NOM. PIPE

