
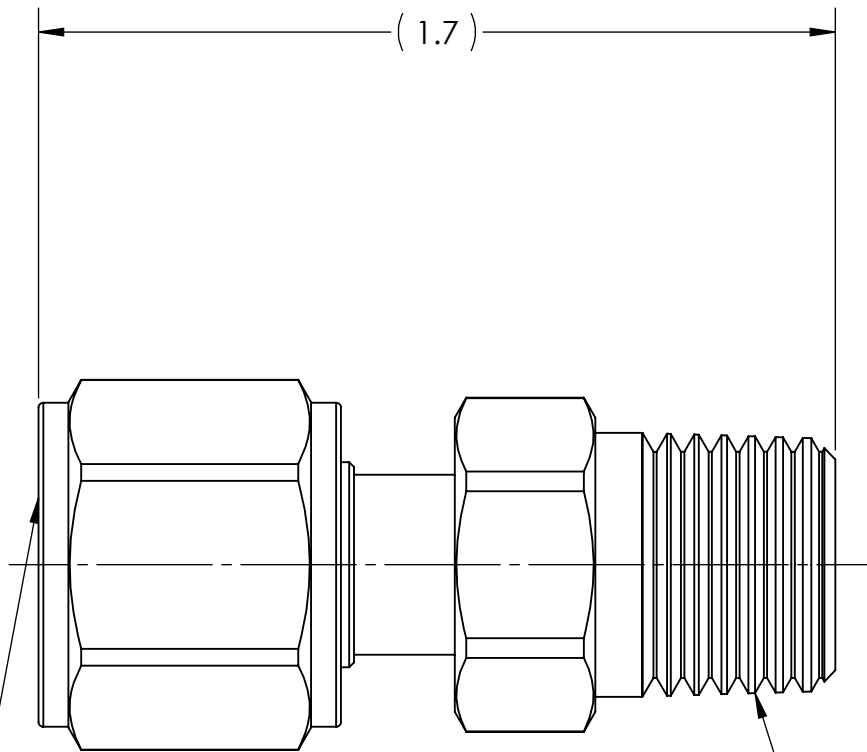
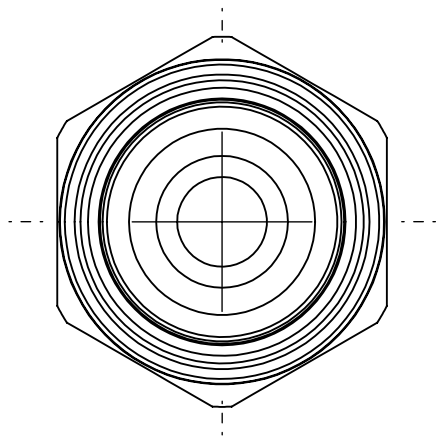


DWG. No./Part No.: MA-192					CODE: S	DESCRIPTION: MEDICAL ADAPTOR, CGA-1240 to 1/4-18 NPT	MATERIAL:	FINISH: OEM Decorative Bright NiCr Plate	
REV	ECN	DATE	CHKD	APPVD	<u>TOLERANCES UNLESS SPECIFIED:</u> 125----- FINISH ALL OVER REMOVE ALL BURRS BREAK ALL CORNERS .015/.005 DECIMAL .XX +/- .015 .XXX +/- .005 ANGULAR +/- 1 CONCENTRICITY .007 TIR	<u>NOTICE:</u> THE DATA IN THIS DOCUMENT INCORPORATES PROPRIETARY INFORMATION AND RIGHTS OF SUPERIOR PRODUCTS, INC. CONFIDENCE AND AGREES THAT IT SHALL NOT BE DUPLICATED IN WHOLE OR IN PART, NOR DISCLOSED TO OTHERS WITHOUT THE WRITTEN CONSENT OF SUPERIOR PRODUCTS, INC.	INTERPRET GEOMETRIC TOLERANCING PER: ANSI Y14.5		
A	052104A	08/17/06	GDG	PSM			DO NOT SCALE		



9/16-18 UNF
CGA - E1
CONN - 022

1/4 NPT