
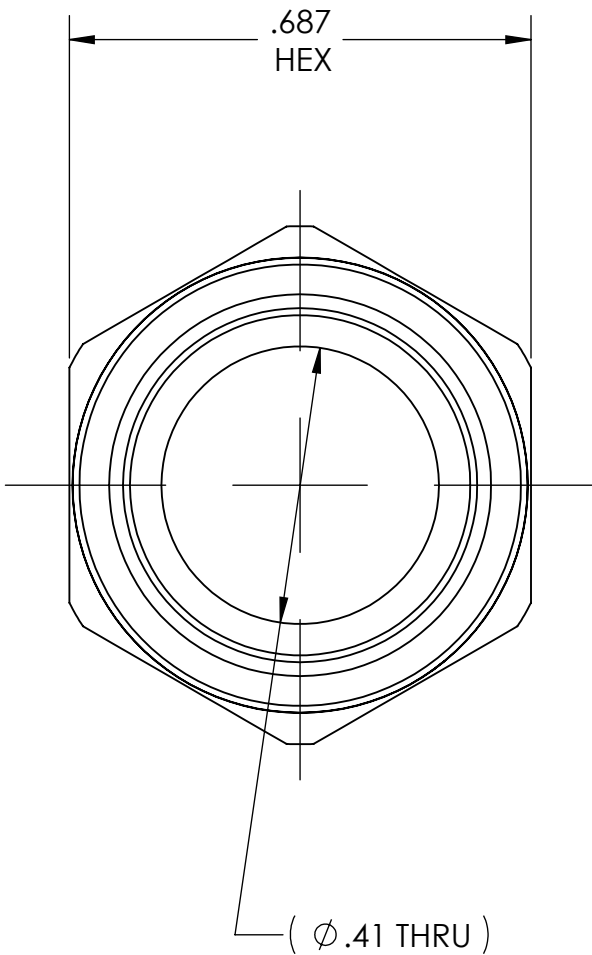


DWG. No./Part No.:					CODE:	DESCRIPTION:	MATERIAL:	FINISH:	
N-49					S	INLET NUT, CGA-170	.6875 HEX BRASS	BRITE-DIP	
REV	ECN	DATE	CHKD	APPVD	TOLERANCES UNLESS SPECIFIED:		INTERPRET GEOMETRIC TOLERANCING PER: ANSI Y14.5		
A	10-0003	01/14/10	GDG	MRE	125 FINISH ALL OVER REMOVE ALL BURRS BREAK ALL CORNERS .015/.005 DECIMAL .XX +/- .015 .XXX +/- .005 ANGULAR +/- 1 CONCENTRICITY .007 TIR		DO NOT SCALE		
					NOTICE: THE DATA IN THIS DOCUMENT INCORPORATES PROPRIETARY INFORMATION AND RIGHTS OF SUPERIOR PRODUCTS, INC. CONFIDENCE AND AGREES THAT IT SHALL NOT BE DUPLICATED IN WHOLE OR IN PART, NOR DISCLOSED TO OTHERS WITHOUT THE WRITTEN CONSENT OF SUPERIOR PRODUCTS, INC.				



.5625-18 RH UNF
CGA - V-1
CONN - 170

