
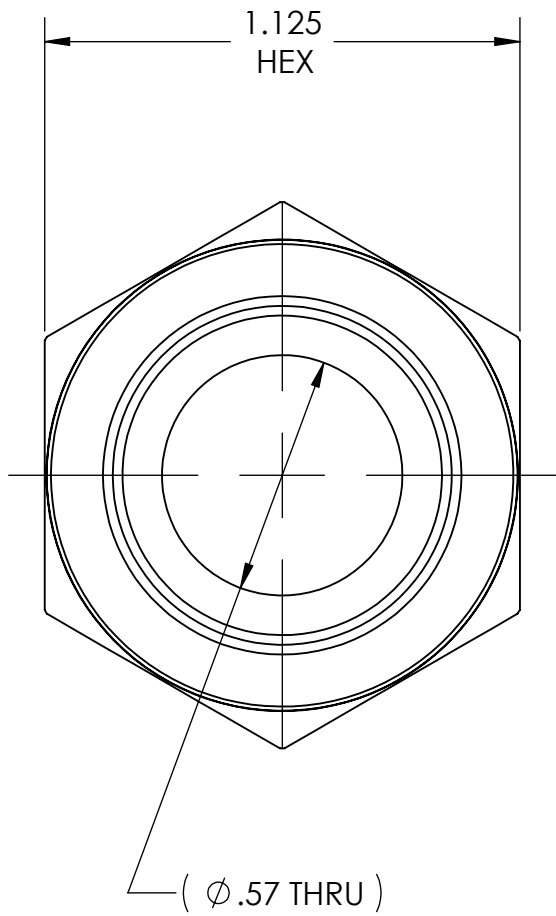


DWG. No./Part No.: N-61SS					CODE: S	DESCRIPTION: SS NLET NUT, CGA-320	MATERIAL: 1.1250 HEX 316 SS	FINISH: PASSIVATE	
REV	ECN	DATE	CHKD	APPVD	TOLERANCES UNLESS SPECIFIED: <small>1.25mm unless otherwise broken in</small> FINISH ALL OVER REMOVE ALL BURRS BREAK ALL CORNERS .015/.005 DECIMAL .XX +/- .015 .XXX +/- .005 ANGULAR +/- 1 CONCENTRICITY .007 TIR	NOTICE: THE DATA IN THIS DOCUMENT INCORPORATES PROPRIETARY INFORMATION AND RIGHTS OF SUPERIOR PRODUCTS, INC. CONFIDENCE AND AGREES THAT IT SHALL NOT BE DUPLICATED IN WHOLE OR IN PART, NOR DISCLOSED TO OTHERS WITHOUT THE WRITTEN CONSENT OF SUPERIOR PRODUCTS, INC.	INTERPRET GEOMETRIC TOLERANCING PER: ANSI Y14.5		
A	RDRWN	11/09/05	GDG	MRE			DO NOT SCALE		



.830-14 RH NGO
CGA - V-1
CONN - 320

