
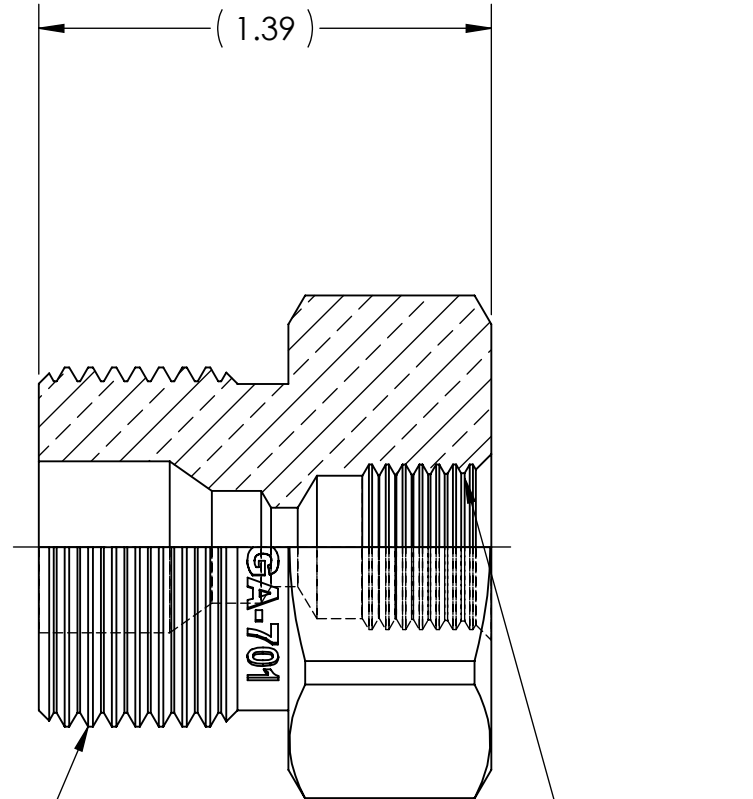
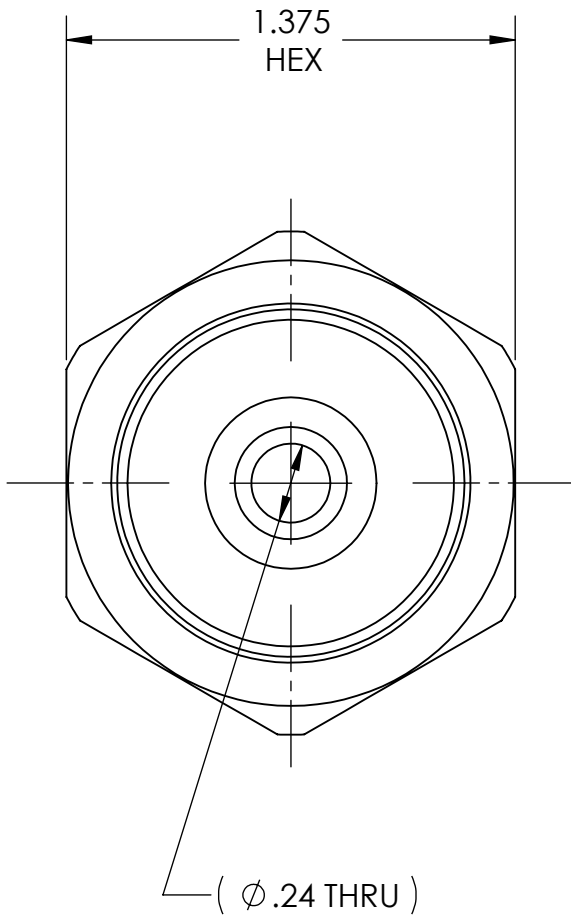


DWG. No./Part No.: <b>N-701A</b>					CODE: <b>S</b>	DESCRIPTION: <b>ADAPTOR NUT, CGA-701 to 1/4 NPT</b>	MATERIAL: <b>1.3750 HEX BRASS</b>	FINISH: <b>BRITE-DIP</b>	
REV	ECN	DATE	CHKD	APPVD	<u>TOLERANCES UNLESS SPECIFIED:</u> 125 FINISH ALL OVER REMOVE ALL BURRS BREAK ALL CORNERS .015/.005 DECIMAL .XX +/- .015 .XXX +/- .005 ANGULAR +/- 1 CONCENTRICITY .007 TIR	<u>NOTICE:</u> THE DATA IN THIS DOCUMENT INCORPORATES PROPRIETARY INFORMATION AND RIGHTS OF SUPERIOR PRODUCTS, INC. CONFIDENCE AND AGREES THAT IT SHALL NOT BE DUPLICATED IN WHOLE OR IN PART, NOR DISCLOSED TO OTHERS WITHOUT THE WRITTEN CONSENT OF SUPERIOR PRODUCTS, INC.	INTERPRET GEOMETRIC TOLERANCING PER: ANSI Y14.5		
A	REDRAWN	12/06/05	KGW	RJJ					
B	06-0131	12/21/06	GDG	RJJ					
DO NOT SCALE									



1.103-14 RH NGO  
CGA - V1  
CONN - 701